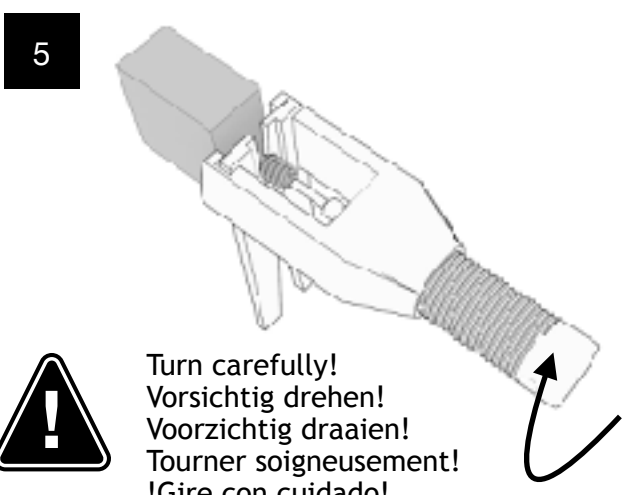
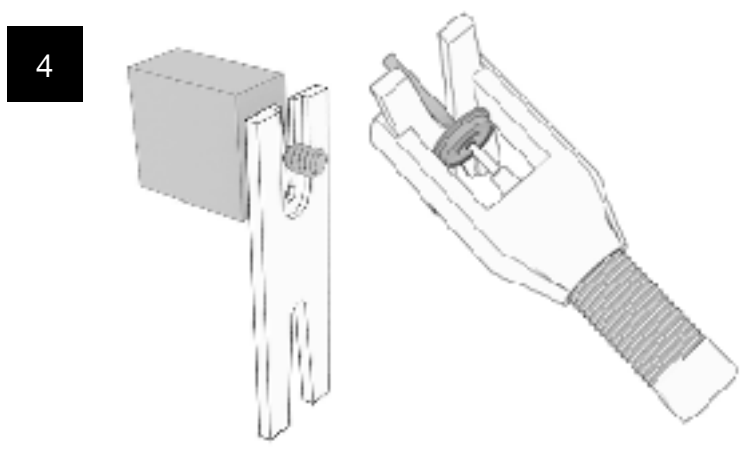
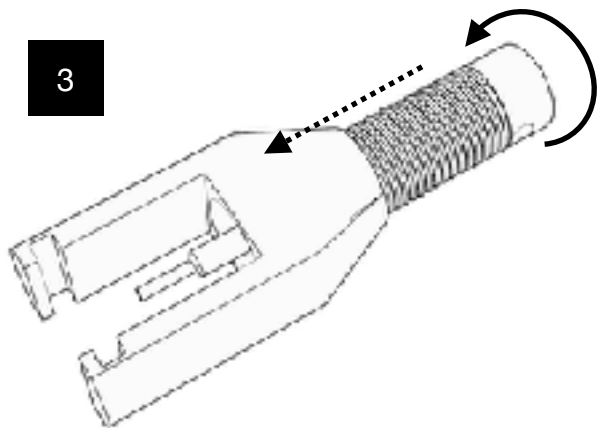
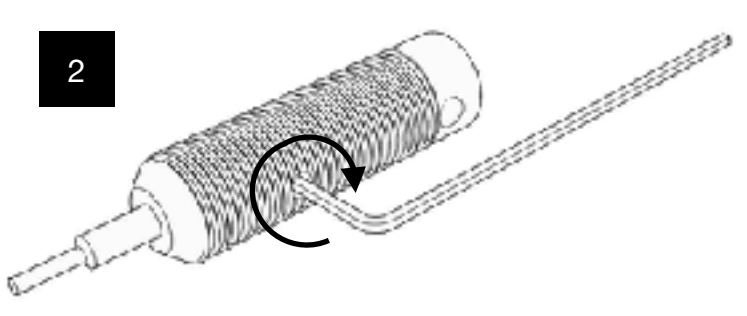
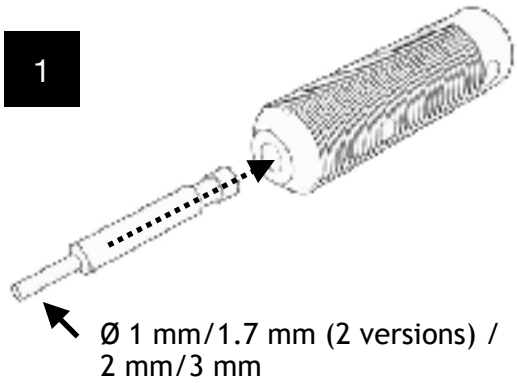
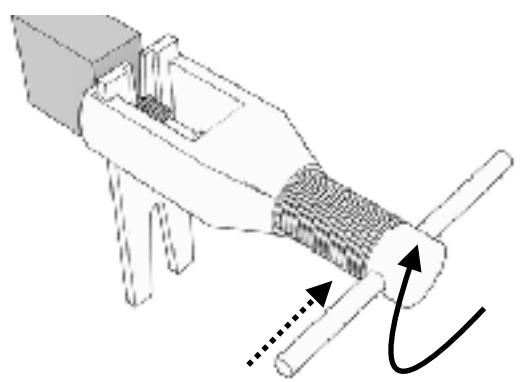


Gear Puller instructions

Very useful, important and alternative tips on how to remove a worm successfully and without damaging it can be found at: www.tramfabriek.nl/worm-removal.html . Please read that webpage before using this tool, to avoid damaging it!
Do not use with Minitrix worms. These worms are fixed so tightly, you will damage the tool.



or
 oder
 of
 ou
 o



Be careful with the smallest, 1 mm pin. Too much force will break it. Turn in small steps, then turn back and turn again. Sometimes the glue is stronger than the pin: don't continue, but read the alternative methodes at <http://tramfabriek.nl/worm-removal.html> . Spare pins are available from the Tramfabriek.